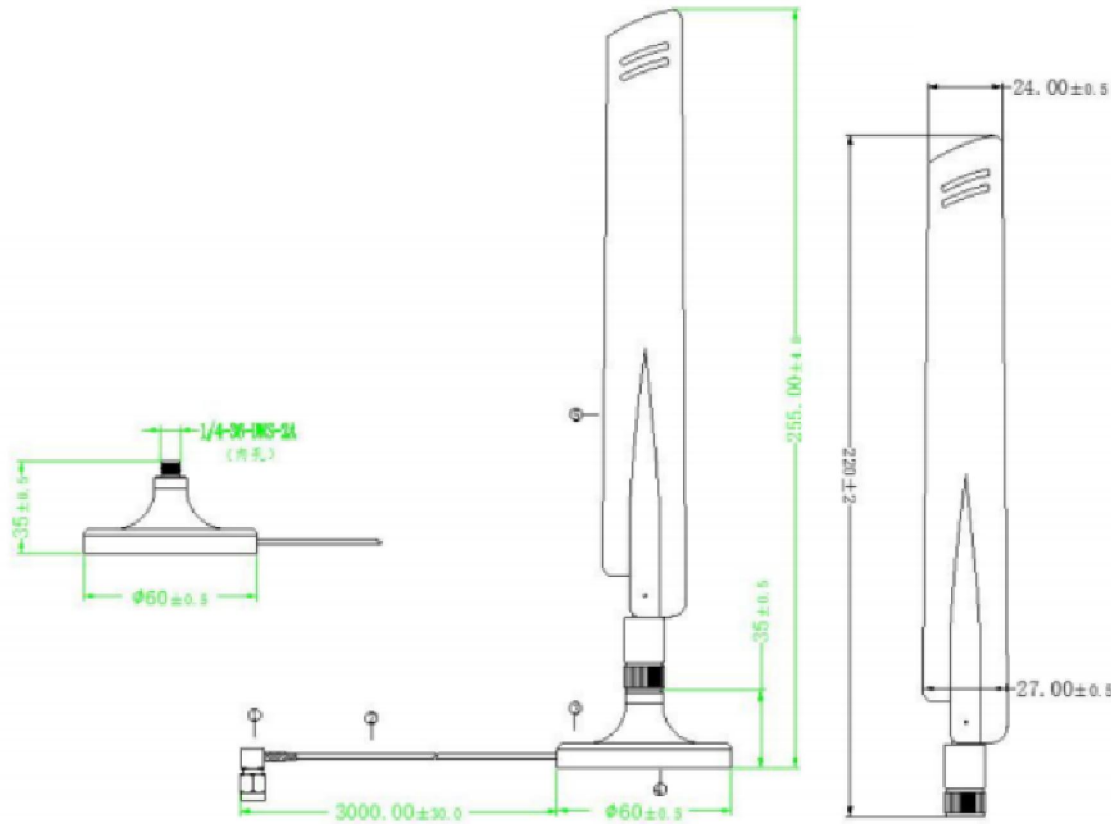


零件图

RoHS 2.0+HF

Rev.	ECN No.	DESCRIPTION



序号	名称	规格/颜色
1	SMA弯头内螺内针	B1/金色
2	线材	RG174黑-64铜包铝-PE
3	吸盘底座	60*30*174孔/内含单圈磁铁
4	PVC贴纸	60*0.2-单面贴纸
5	胶棒天线	220*27/黑色

客户料号				/			
TOLERANCES UNLESS OTHERWISE SPECIFIED				COCENTRA® 科信成精密技术 (江苏) 有限公司 COCENTRA PRECISION TECHNOLOGY (JIANGSU) Co. LTD.			
X.	/	X.°	±2°	SERIES:		TITLE:	
.X	±0.30	.X°	±1°	CCT-XP-25560		PART No.:	
.XX	±0.20	.XX°	±0.5°	APPD:		DWG No.:	
THESE DRAWINGS AND SPECIFICATIONS ARE THE PRIOR WRITTEN CONSENT OF COCENTRA PRECISION TECHNOLOGY (JIANGSU) Co. LTD. AND SHALL NOT BE REPRODUCED, COPIED OR USED IN ANY MANNER WITHOUT THE PRIOR WRITTEN CONSENT OF COCENTRA PRECISION TECHNOLOGY (JIANGSU) Co. LTD.				CKD:		DR:	
				UNITS		MAT'L	FINISH
MM		N/A	N/A	1:1	1/1	X1	