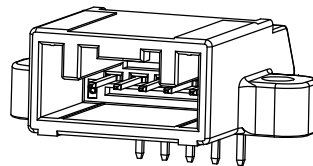
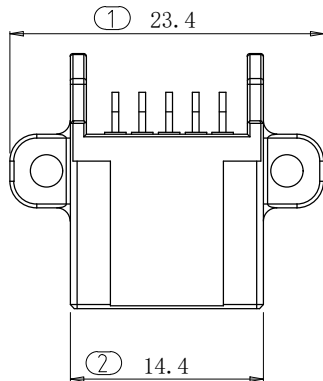


客户图

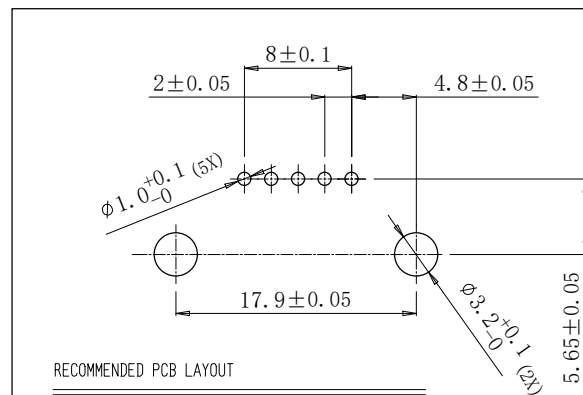
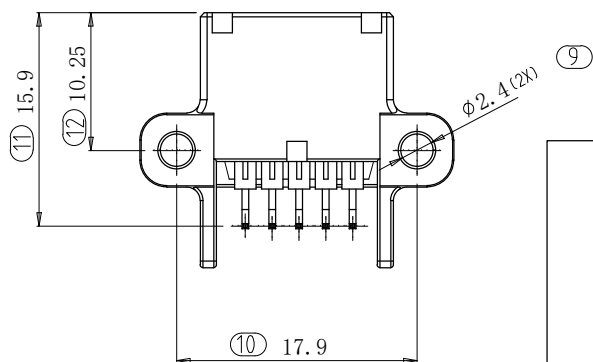
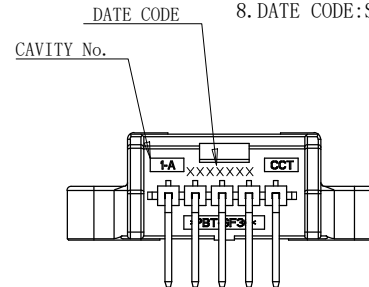
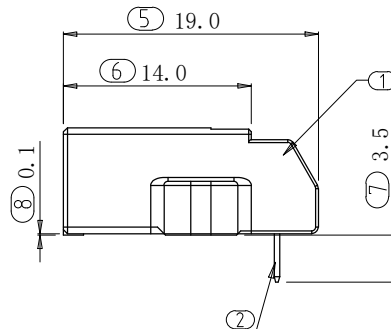
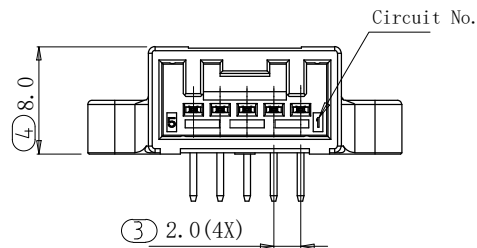
ROHS



NOTE

- Current rating: 3A AC, DC (0.3mm²)
- Voltage rating: 50V AC, DC
- Temperature range: -40°C to 105°C
(including temperature rise in applying electrical current)
- Insulation resistance: 100MΩ Min.
- Contact resistance: Initial value: 15mΩ Max.
After environmental tests: 15mΩ Max.
- Withstanding voltage: 1000 VAC/minute
- Complicant with ROHS
- DATE CODE: Seven code in total XXXXXX

Year, two code
Month, two code
A : day shift
B : night shift
Date, two code



BOM

NO.	NAME	MATERIAL	FINISH	QUANTITY
2	MALE PIN	COPPER ALLOY	Sn OVER Ni	5
1	HOUSING	PBT-GF 30 (BLUE)		1

TOLERANCES UNLESS OTHERWISE SPECIFIED		科信成精密技术 (江苏) 有限公司 COCENTRA PRECISION TECHNOLOGY (JIANGSU) Co. LTD.		
X.	±0.35	X.	±2°	SERIES: MEC 5 PIN CONNECTOR
.X	±0.30	.X	±1°	
.XX	±0.25	.XX	±0.5°	TITLE: CUSTOMER DRAWING FOR MEC 5 PIN CONN.
THESE DRAWINGS AND SPECIFICATIONS ARE THE PRIOR WRITTEN CONSENT OF COCENTRA PRECISION TECHNOLOGY (JIANGSU) Co. LTD. AND SHALL NOT BE REPRODUCED, COPIED OR USED IN ANY MANNER WITHOUT THE PRIOR WRITTEN CONSENT OF COCENTRA PRECISION TECHNOLOGY (JIANGSU) Co. LTD.		APPD: Simon Mou 2023/4/20	PART No.: BMB12054-B11-TY	
		CKD: Daivd Wang 2023/4/20	DWG No.: 307-0000-0414	
		DR: N.Wang 2023/4/20		

UNITS	MAT'L	FINISH	SCALE	SHEET	REV.
mm	BOM	N/A	N/A	1/1	C