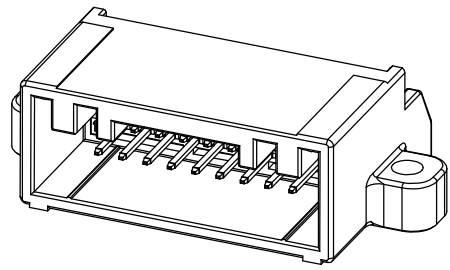
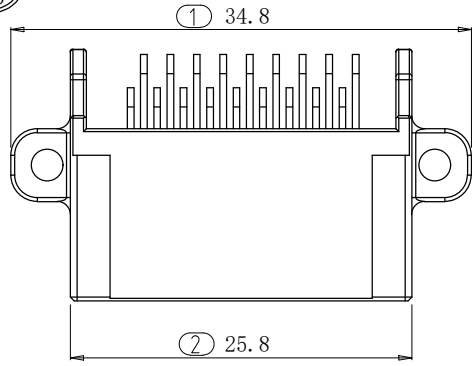


客户图

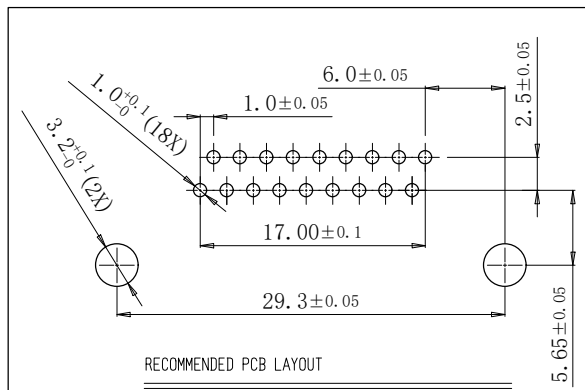
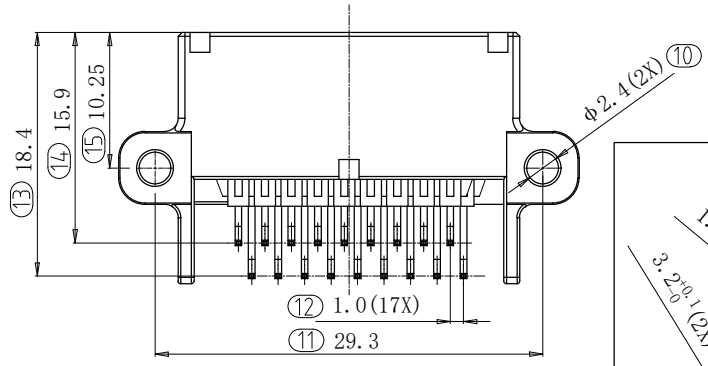
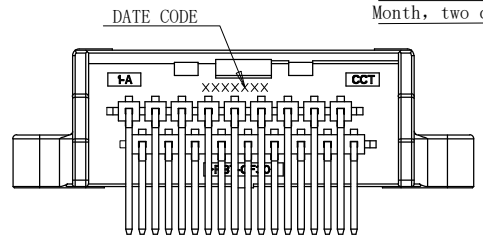
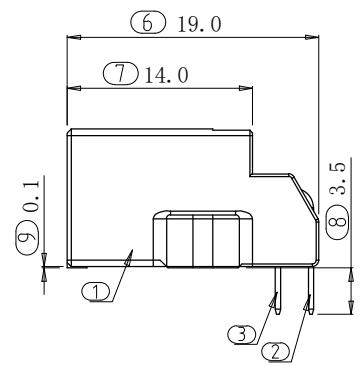
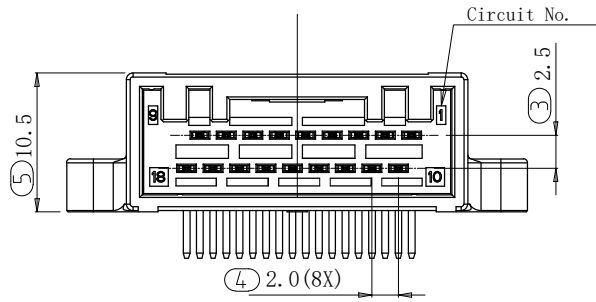
Rev.	ECN No.	DESCRIPTION
C	ECN221115-002	CHANGE PART No.
D	ECN230227-010	CHANGE COLOR
E	ECN230425-002	STRUCTURAL OPTIMIZATION

ROHS



- NOTE
- Current rating: 3A AC,DC(0.3mm<sup>2</sup>)
  - Voltage rating: 50V AC,DC
  - Temperature range: -40°C to 105°C  
(including temperature rise in applying electrical current)
  - Insulation resistance: 100MΩ Min.
  - Contact resistance: Initial value: 15mΩ Max.  
After environmental tests: 15mΩ Max.
  - Withstanding voltage: 1000 VAC/minute
  - Compliant with ROHS
  - DATE CODE: Seven code in total xxxxxxxx

Year, two code  
Month, two code  
Date, two code  
A : day shift  
B : night shift



BOM

NO.	NAME	MATERIAL	FINISH	QUANTITY
3	SHORT MALE PIN	COPPER ALLOY	Sn OVER Ni	9
2	LONG MALE PIN	COPPER ALLOY	Sn OVER Ni	9
1	HOUSING	PBT (Blue)		1

TOLERANCES UNLESS OTHERWISE SPECIFIED

X.	±0.35	X.°	±2°
.X	±0.30	.X°	±1°
.XX	±0.25	.XX°	±0.5°

THESE DRAWINGS AND SPECIFICATIONS ARE THE PRIOR WRITTEN CONSENT OF COCENTRA PRECISION TECHNOLOGY (JIANGSU) Co. LTD. AND SHALL NOT BE REPRODUCED, COPIED OR USED IN ANY MANNER WITHOUT THE PRIOR WRITTEN CONSENT OF COCENTRA PRECISION TECHNOLOGY (JIANGSU) Co. LTD.

**COCENTRA** 科信成精密技术 (江苏) 有限公司  
COCENTRA PRECISION TECHNOLOGY (JIANGSU) Co. LTD.

SERIES: MEC 18 PIN CONNECTOR  
TITLE: CUSTOMER DRAWING FOR MEC 18 PIN CONN.

APPD: Simon Mou 23/04/20  
PART No.: BMB12184-B21-TY

CKD: Daivid Wang 23/04/20  
DWG No.: 307-0000-0417

DR: N.Wang 23/04/20

UNITS	MAT'L	FINISH	SCALE	SHEET	REV.
mm	BOM	N/A	N/A	1/1	E